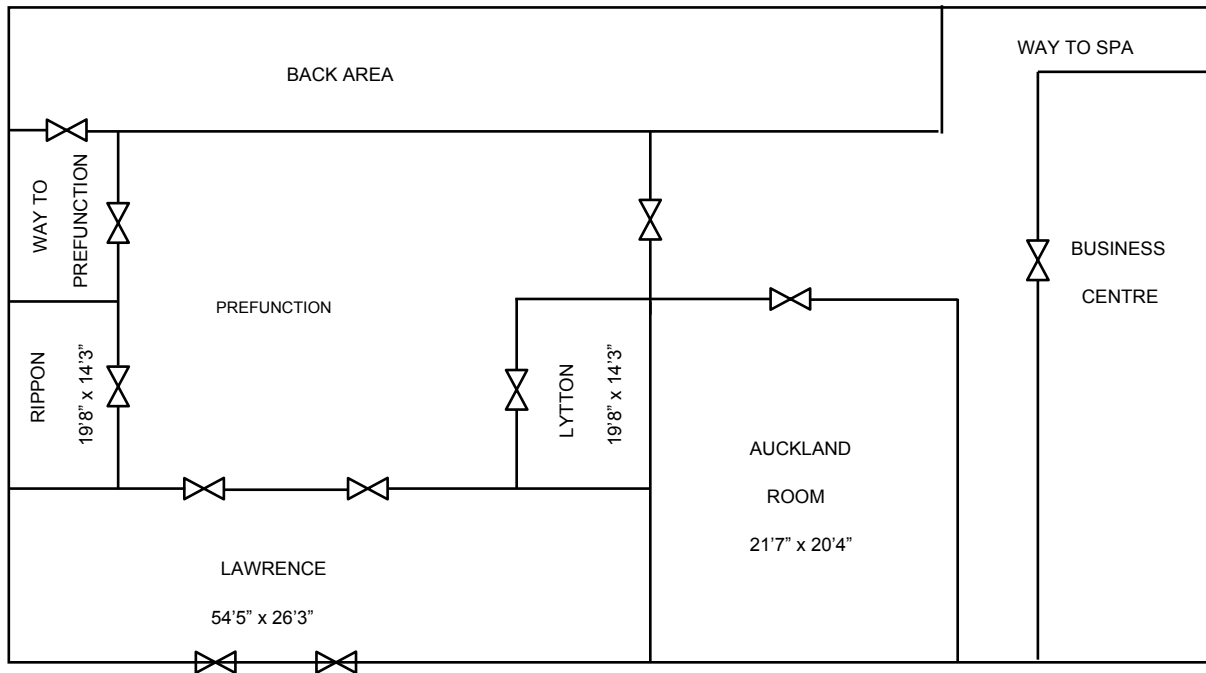


BANQUETS



Exit to Terrace
 Rippon(metres) - 6
 Lawrence(metres) – 16.6 X 8
 Auckland Room(metres) – 6.6 X 6.2

VENUE	DIMENSION (IN METRE) L x B x H	SEATING CAPACITY					
		HEATRE	CLASSROOM	U-SHAPE	SIT DOWN	BOARD ROOM	COCKTAILS
The Auckland Room	6 x 6 x 3	7	4.5	4.2	4.2	4.2	6
The Lytton Room	5.9 x 4.3 x 3	-	-	-	4.2	4.2	-
The Ripon Room	5.9 x 4.1 x 3	-	-	-	3.6	3.6	-
The Lawrence Room I	7.9 x 7.9 x 3	9.7	6	6	7.3	6	12.1
The Lawrence Room II	7.9 x 7.9 x 3	9.7	6	6	7.3	6	12.1
The Lawrence Room I & II	7.9 x 16.9 x 3	29.2	15.2	15.5	19.5	17	30.4